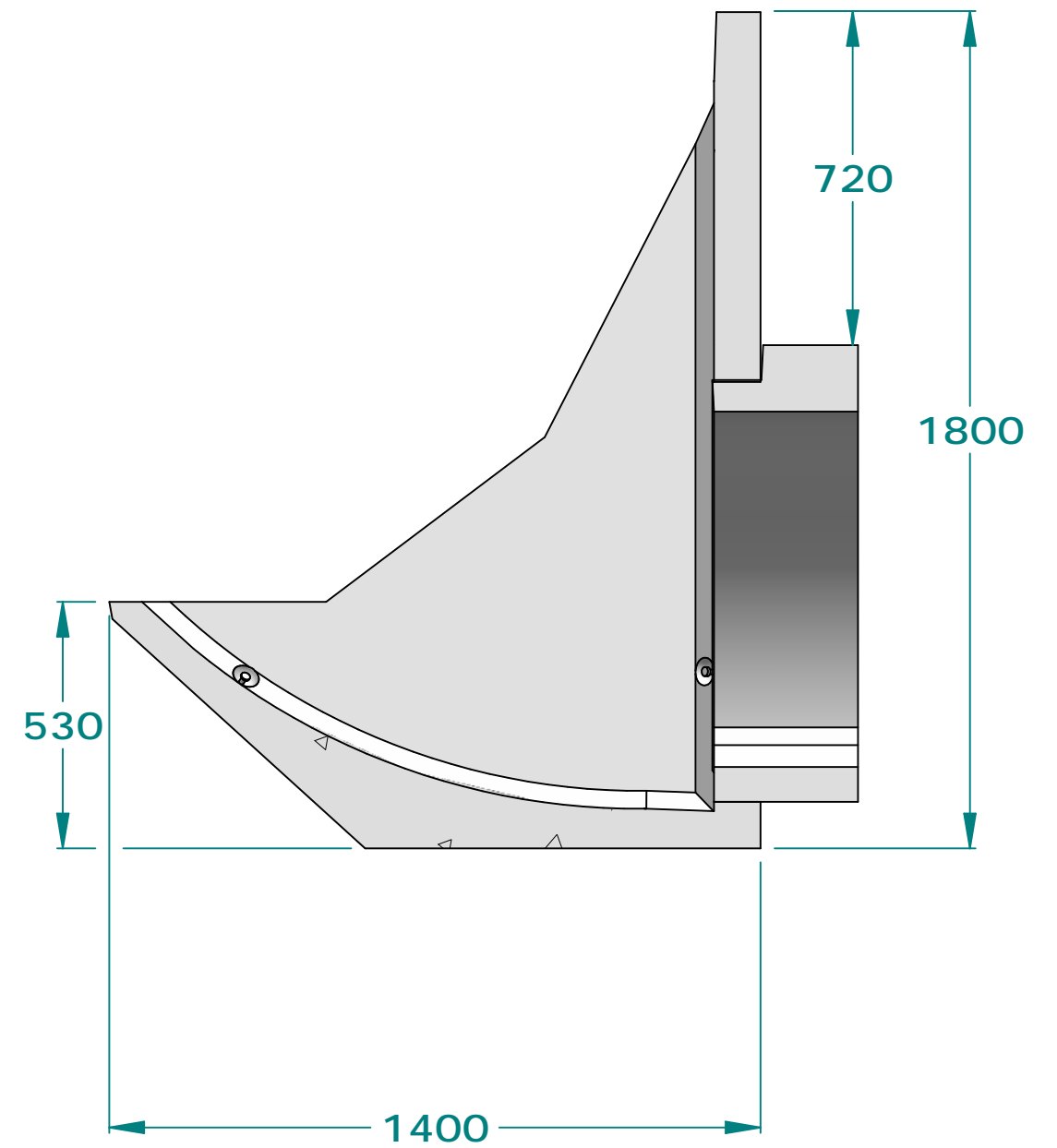


View towards sill



Section A-A

## PE 1000 Bubbler - PWS

© Padman Stops. This document is and shall remain the property of Padman Stops. Unauthorised use of this document in anyform is prohibited. Patents may apply.

All dimensions in millimetres unless otherwise stated.

[info@padmanstops.com.au](mailto:info@padmanstops.com.au)  
tel. 03 5874 5282



**Padman WATER**  
**SOLUTIONS**