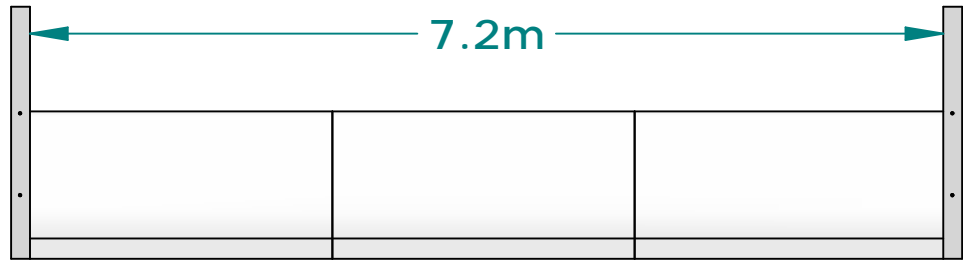
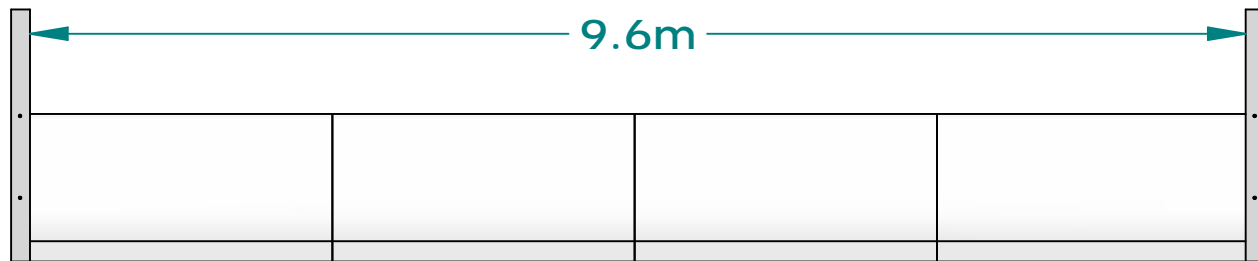


- 1 MF2000 - Male Headwall
- 1 MF2000 - Female Headwall



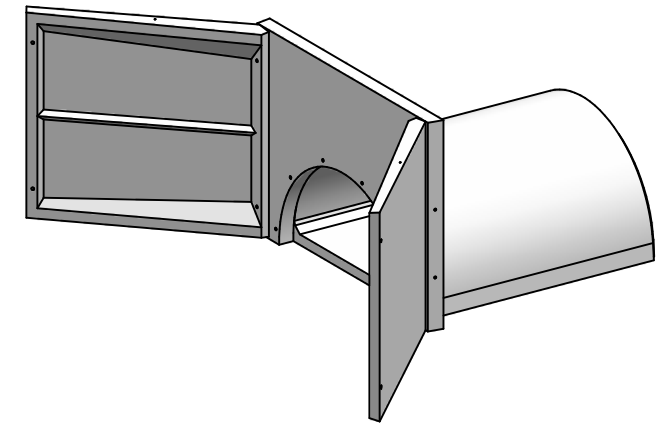
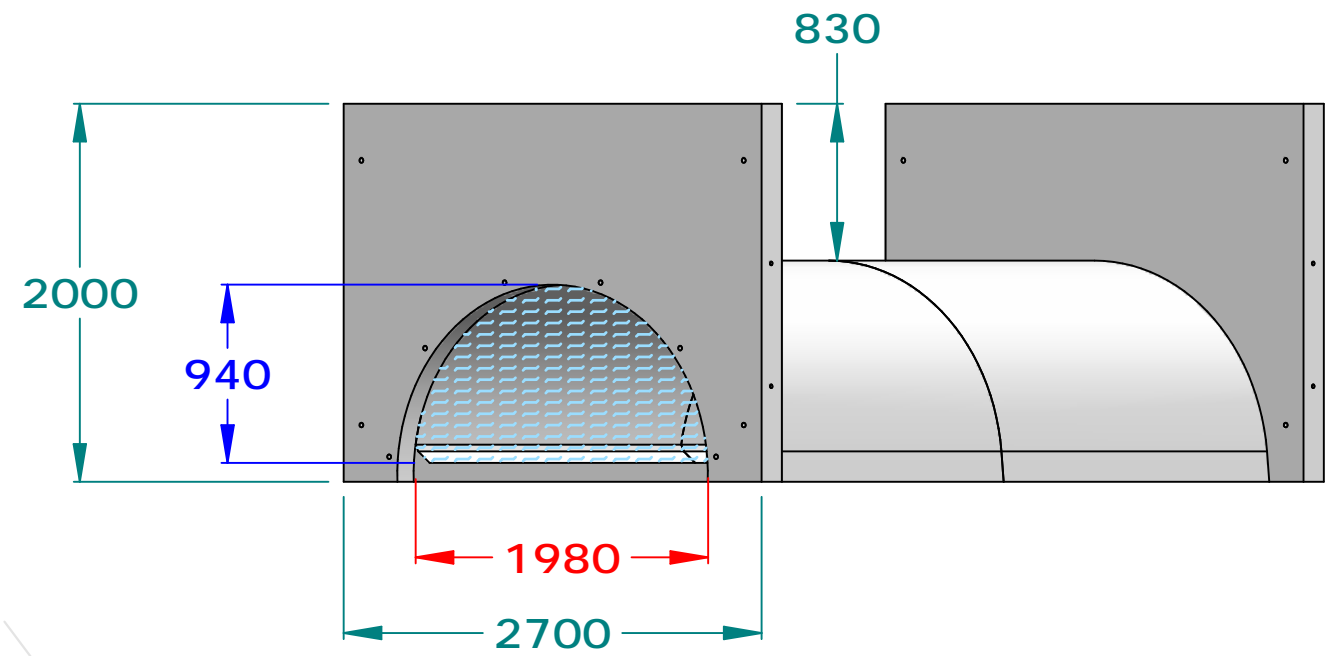
- 1 MF2000 - Male Headwall
- 1 MF2000 - Centre - Male-Female
- 1 MF2000 - Female Headwall



- 1 MF2000 - Male Headwall
- 2 MF2000 - Centre - Male-Female
- 1 MF2000 - Female Headwall



- 1 MF2000 - Male Headwall
- 3 MF2000 - Centre - Male-Female
- 1 MF2000 - Female Headwall



- Erosion control wings are available and recommended in all applications.
- Longer crossings are available on request.

MF2000 - Crossings - 2000H

© Padman Stops. This document is and shall remain the property of Padman Stops. Unauthorised use of this document in any form is prohibited. Patents may apply.

All dimensions in millimetres unless otherwise stated.

info@padmanstops.com.au
tel. 03 5874 5282

