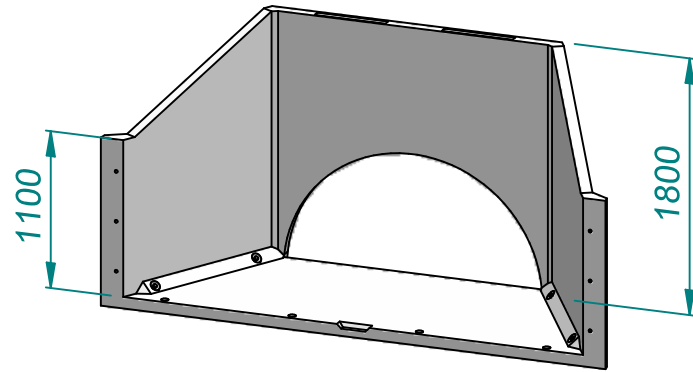
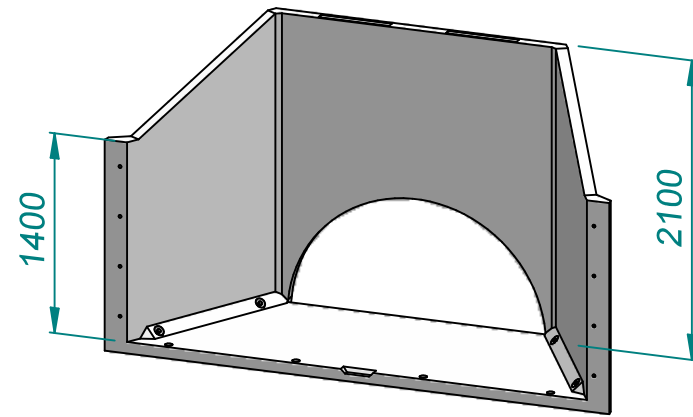


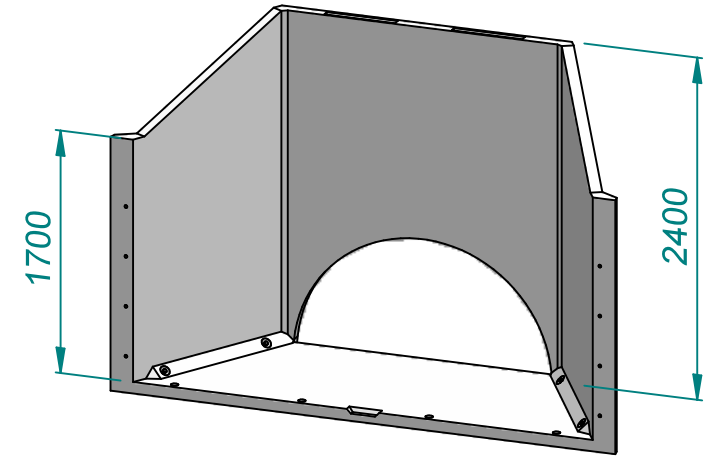
HH1800 - 1500Hx800H



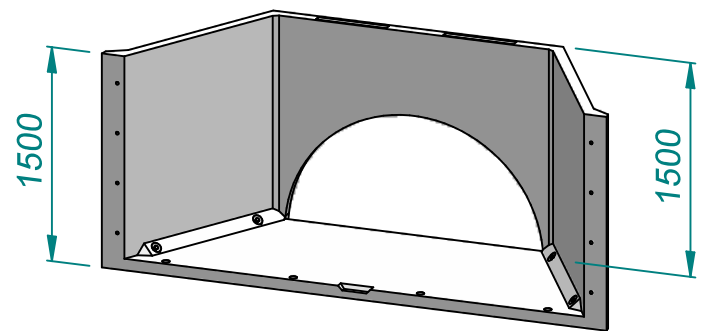
HH1800 - 1800Hx1100H



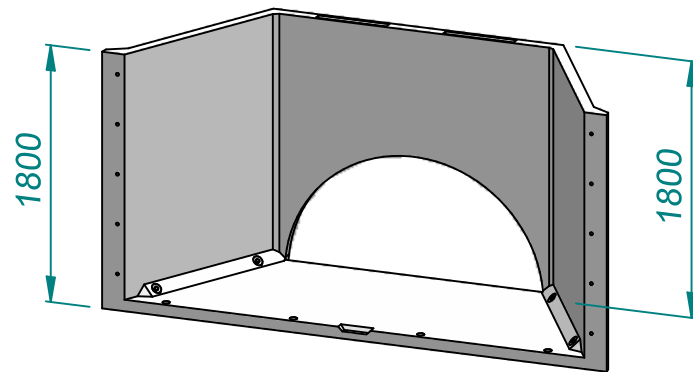
HH1800 - 2100Hx1400H



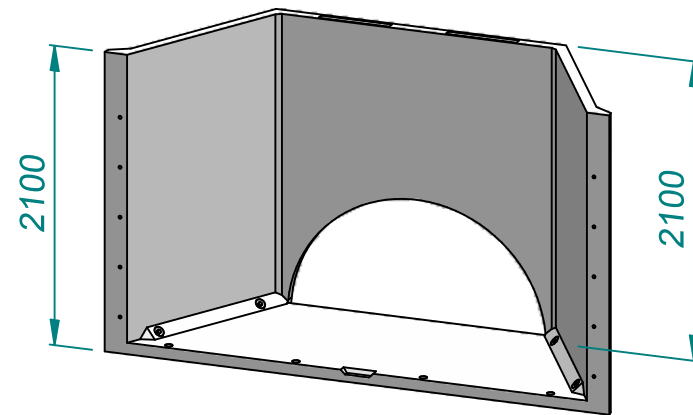
HH1800 - 2400Hx1700H



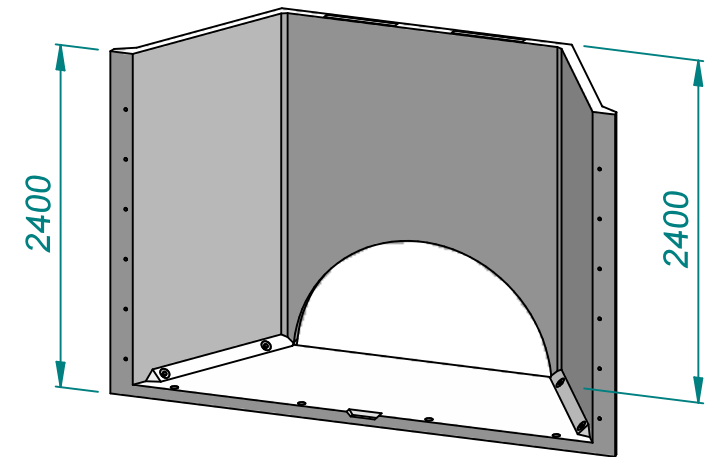
HH1800 - 1500Hx1500H



HH1800 - 1800Hx1800H



HH1800 - 2100Hx2100H



HH1800 - 2400Hx2400H

HH1800 - Headwalls

© Padman Stops. This document is and shall remain the property of Padman Stops. Unauthorised use of this document in any form is prohibited. Patents may apply.

All dimensions in millimetres unless otherwise stated.

spadman@padmanws.com.au
tel. 07 4763 2030



Padman WATER
SOLUTIONS