

Assemble your crossing :

- Choose a HH1800 - Headwall "full profile" headwall or with cut off sidewalls (see next page) to suit your application.
- Choose a HH1800 - Headwall height of 1500mm, 1800mm, 2100mm or 2400mm.
- Choose sill wall heights for drops in sill levels over the crossing to suit your application or contact Padman Stops for advice.
- Wings are matched to the combination to suit your application.
- Ratwalls are available at 300mm and 500mm high.
- Choose a HH1800 - Bubbler Sill or a PE1000 Bubbler where applicable.
- Add MF1800 - Centre sections to reach the desired length of crossing.

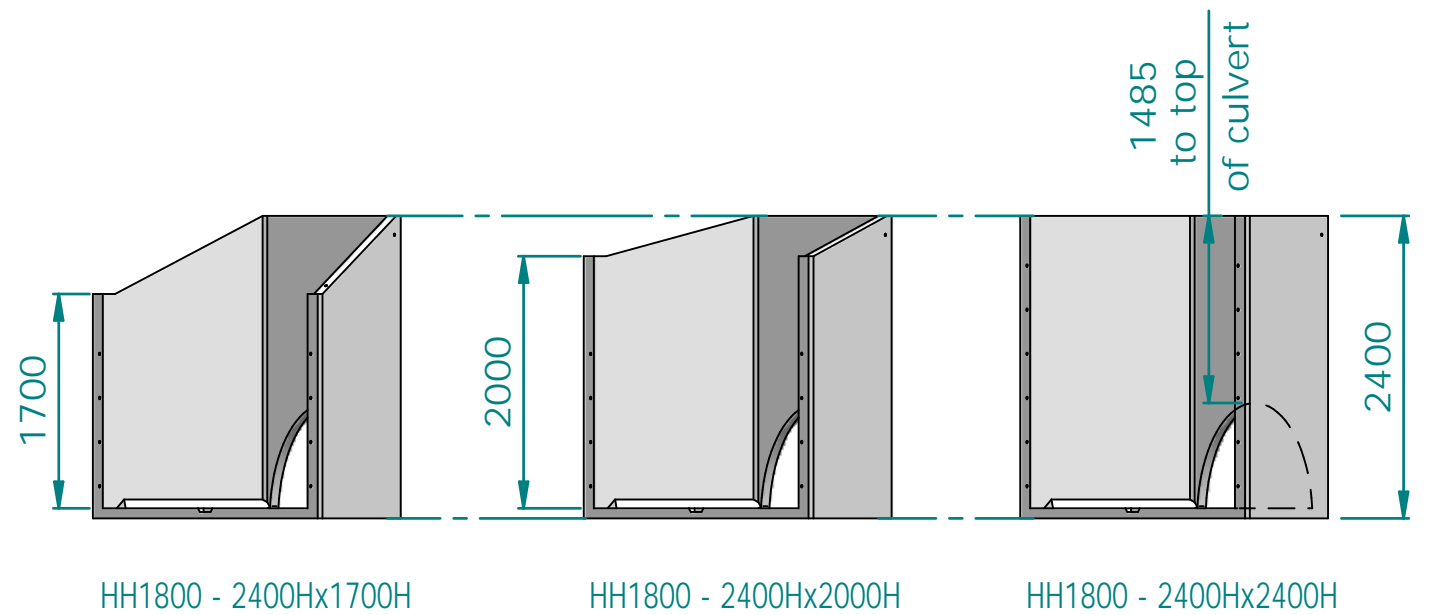
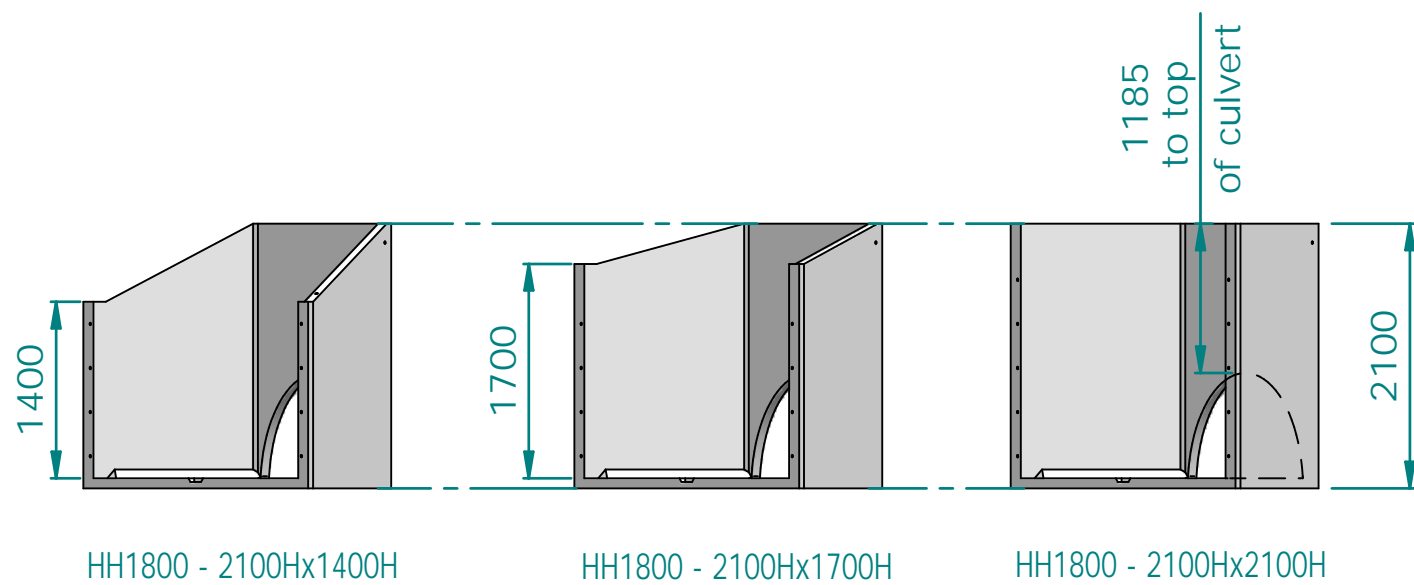
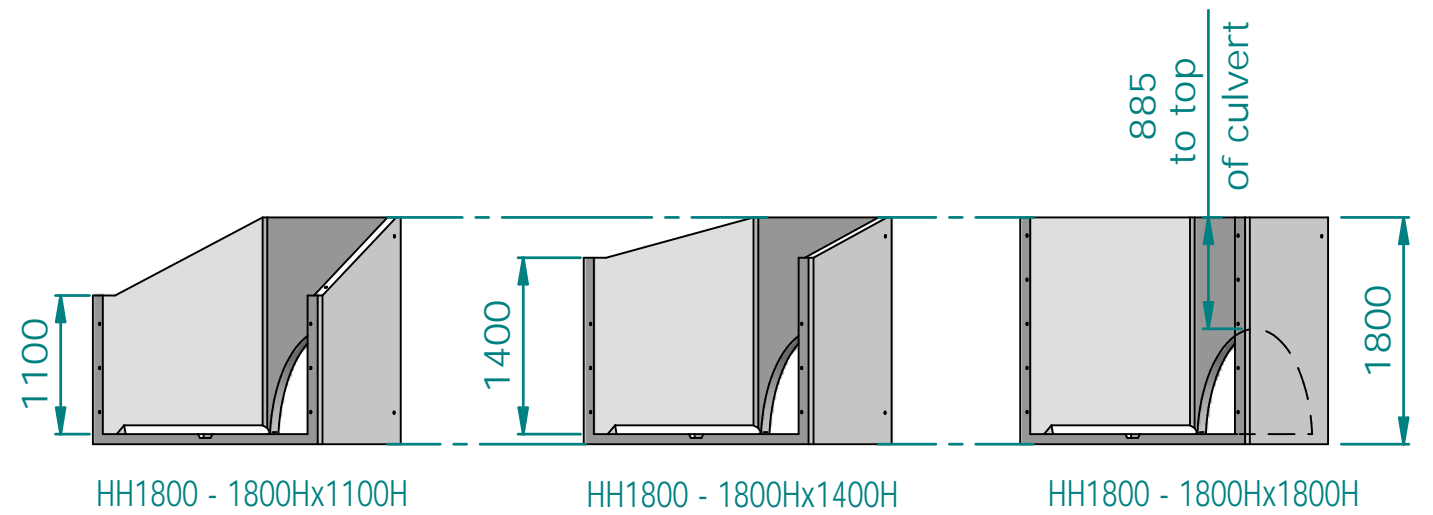
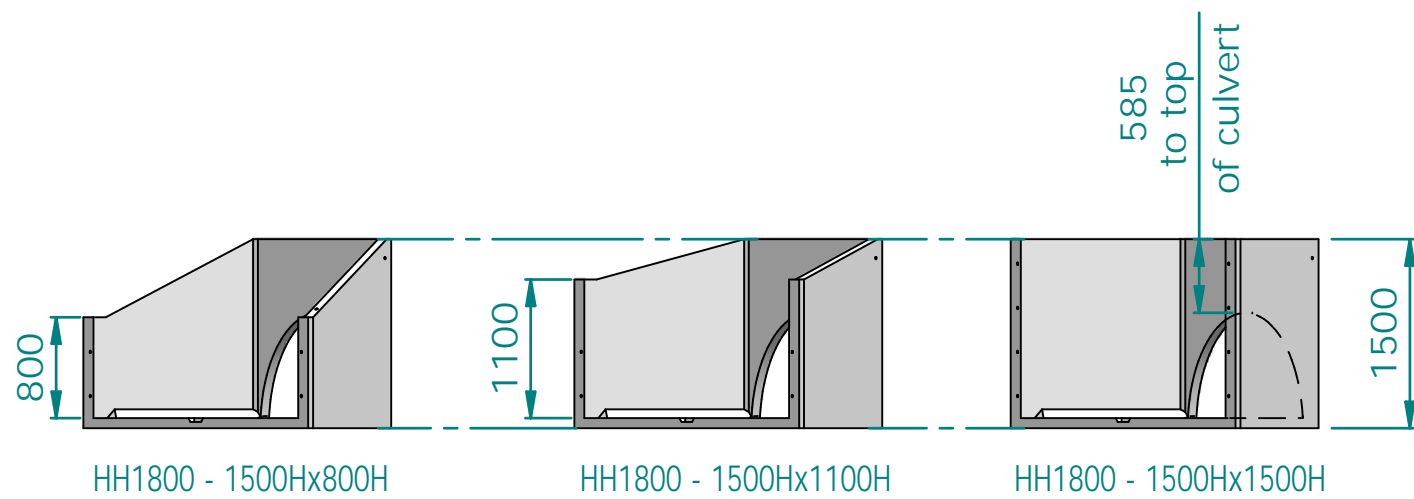
HH1800 - 1800H - Options

© Padman Stops. This document is and shall remain the property of Padman Stops. Unauthorised use of this document in any form is prohibited. Patents may apply.

All dimensions in millimetres unless otherwise stated.

info@padmanstops.com.au
tel. 03 5874 5282





HH1800 - Headwalls - Comparison

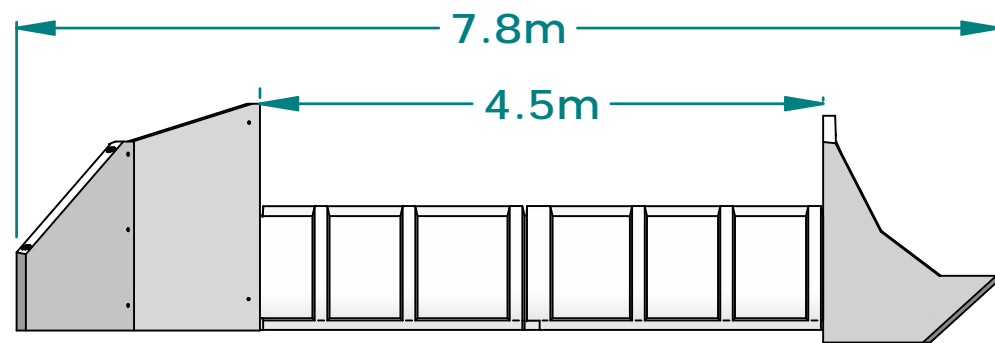
© Padman Stops. This document is and shall remain the property of Padman Stops. Unauthorised use of this document in any form is prohibited. Patents may apply.

All dimensions in millimetres unless otherwise stated.

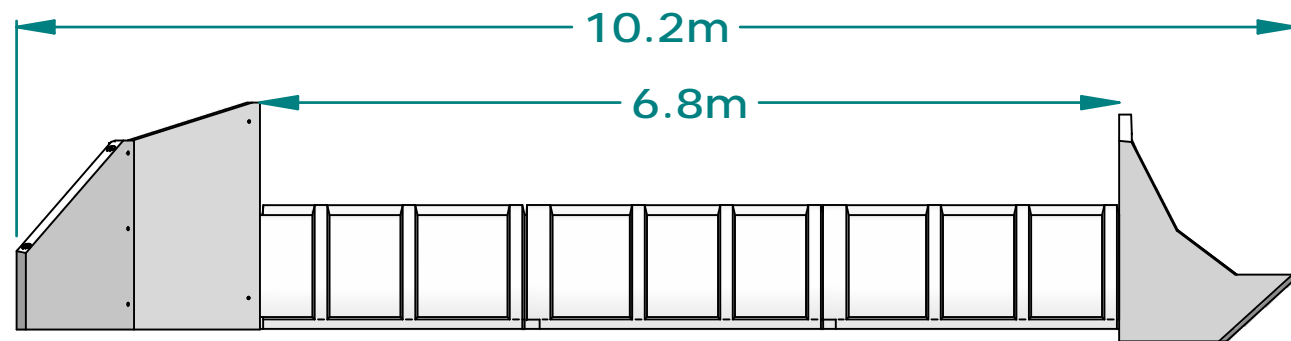
info@padmanstops.com.au
tel. 03 5874 5282



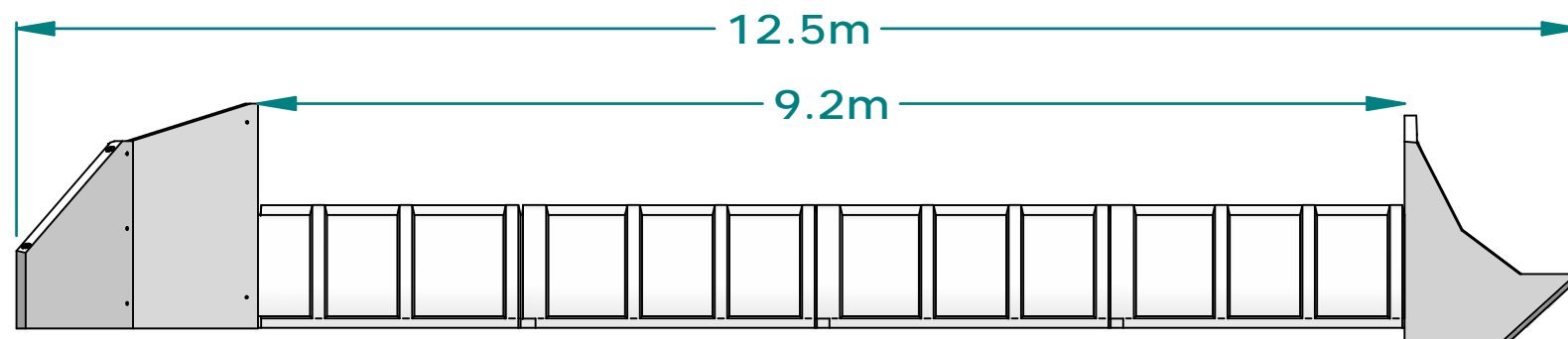
File path : C:\Work\Customers\Padman Stops\Hybrid Headwall\Hybrid Headwall 1800\HH1800 - Assemble your crossing.dft



- 1 HH1800 - 1800Hx1400H
- 1 Maxiflow 1800 - Male-Male
- 1 Maxiflow 1800 - Female-Male
- 1 PE1000 Bubbler

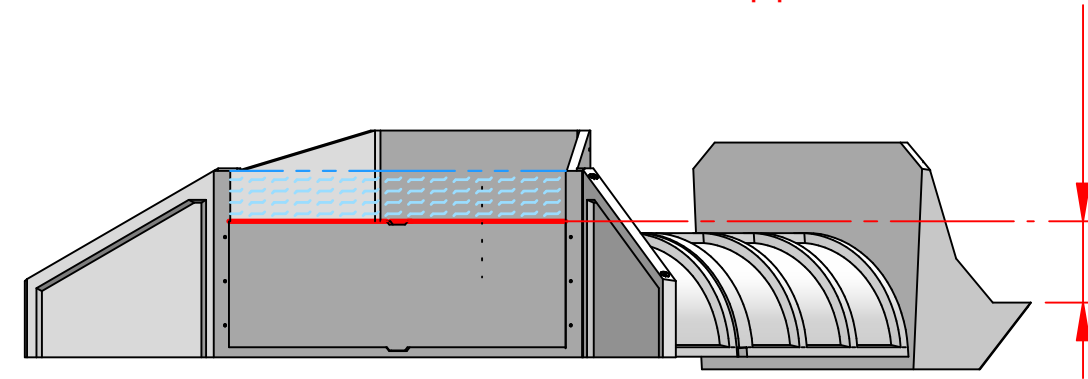


- 1 HH1800 - 1800Hx1400H
- 1 Maxiflow 1800 - Male-Male
- 2 Maxiflow 1800 - Female-Male
- 1 PE1000 Bubbler



- 1 HH1800 - 1800Hx1400H
- 1 Maxiflow 1800 - Male-Male
- 3 Maxiflow 1800 - Female-Male
- 1 PE1000 Bubbler

Distance from HH1800 sill level to PE1000 Bubbler sill level to suit application: **0-1000**



- For different sill level distances to suit your application consult with Padman Stops.

- Longer crossings are available on request.

HH1800 - 1800H - Crossings

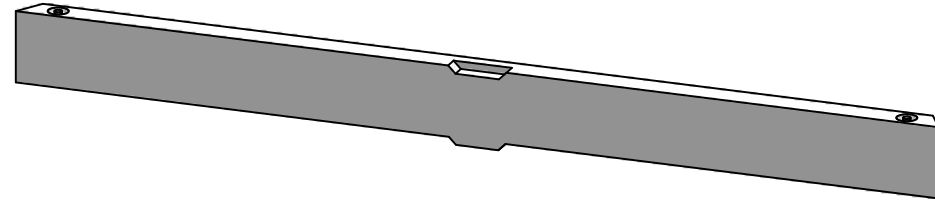
© Padman Stops. This document is and shall remain the property of Padman Stops. Unauthorised use of this document in any form is prohibited. Patents may apply.

All dimensions in millimetres unless otherwise stated.

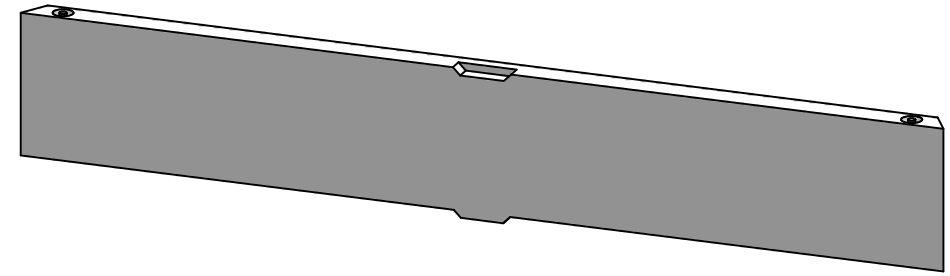
info@padmanstops.com.au
tel. 03 5874 5282



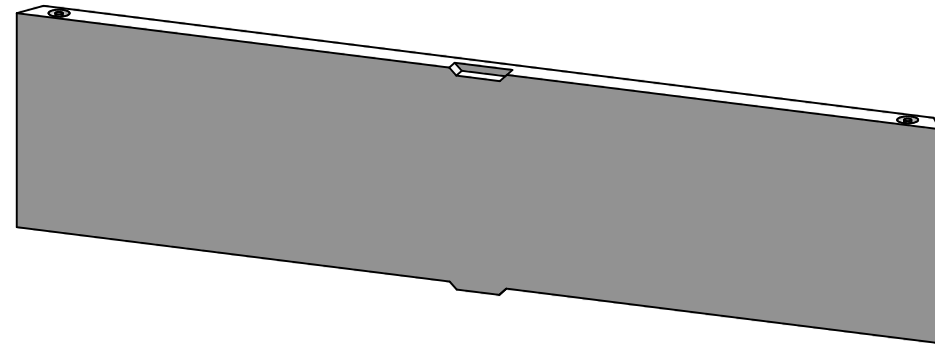
Sill walls can be made from 100mm to 1200mm high in 50mm increments.



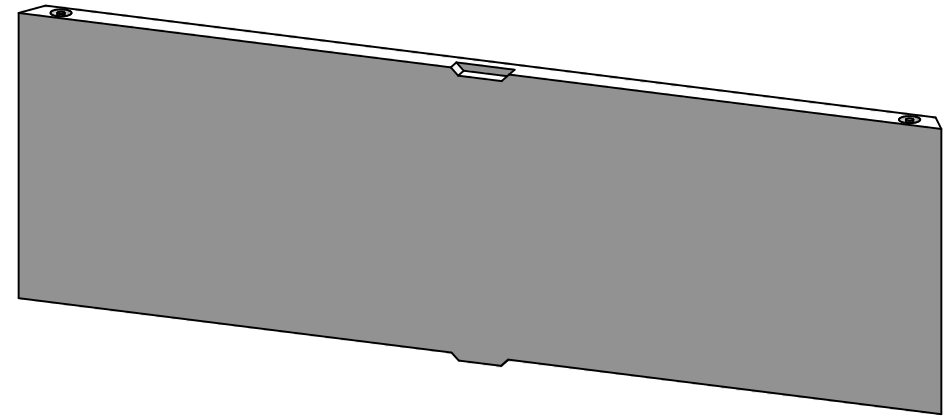
HH1800 - Sill 250H



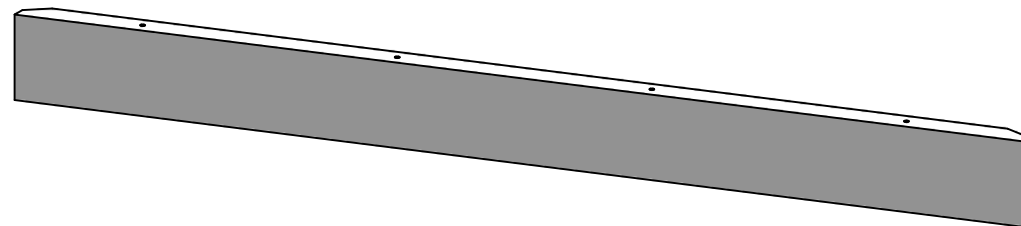
HH1800 - Sill 500H



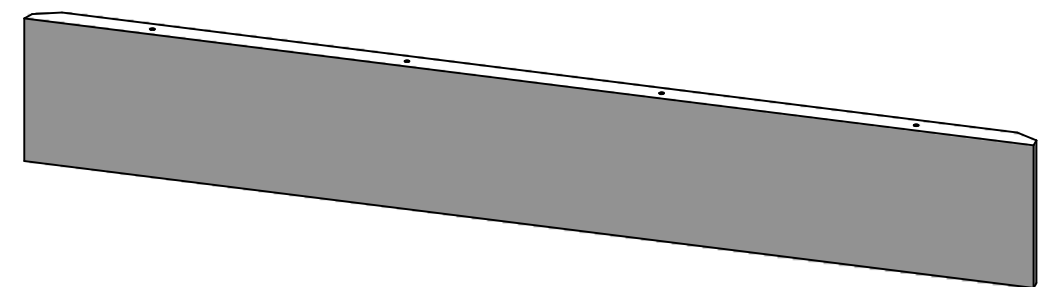
HH1800 - Sill 750H



HH1800 - Sill 1000H



HH1800 - Ratwall 300H



HH1800 - Ratwall 500H

HH1800 - Sill & Rat Walls

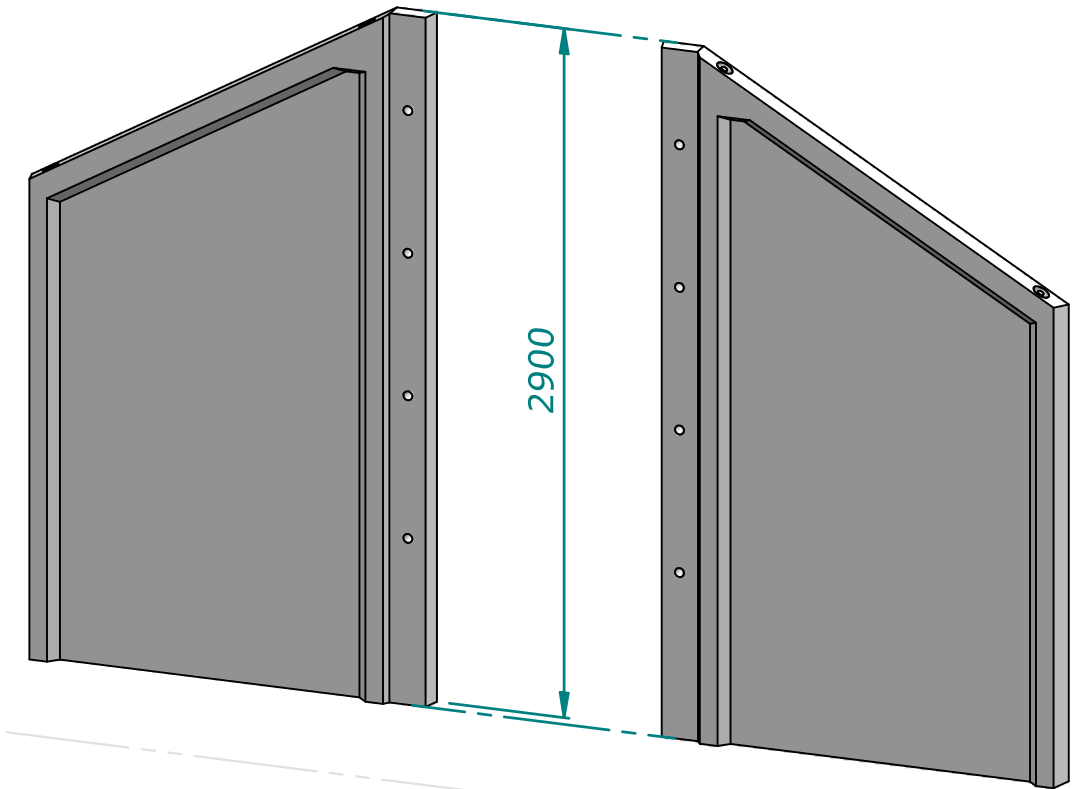
© Padman Stops. This document is and shall remain the property of Padman Stops. Unauthorised use of this document in any form is prohibited. Patents may apply.

All dimensions in millimetres unless otherwise stated.

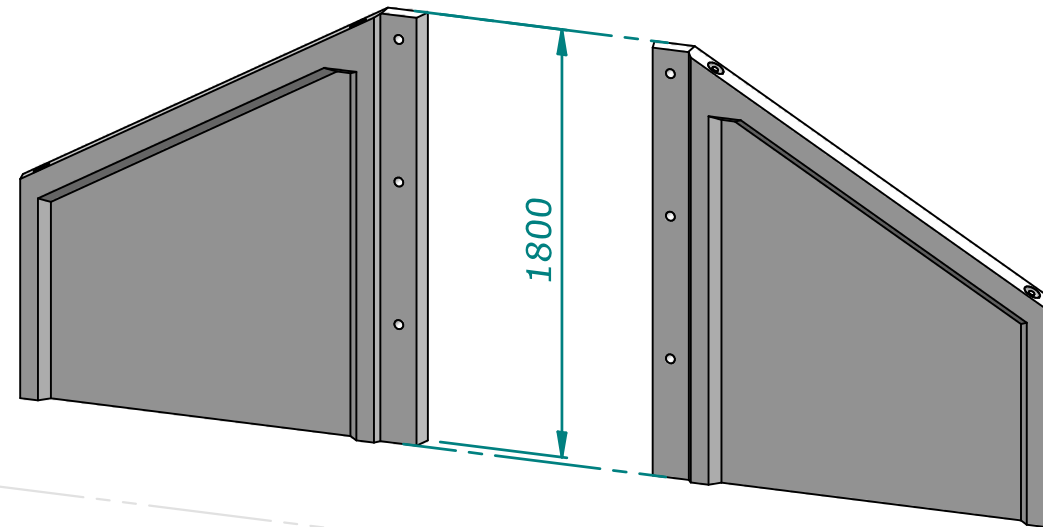
info@padmanstops.com.au
tel. 03 5874 5282



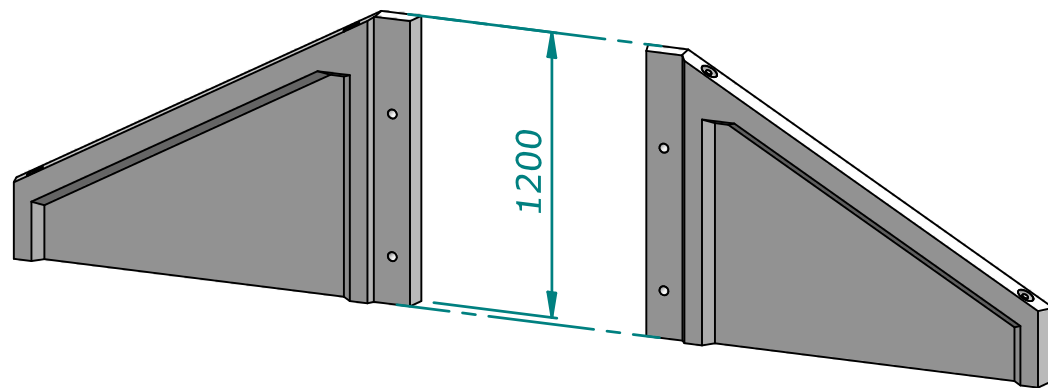
Wings can be made to any height from 1200mm to 2900mm and are made to suit the combination of Headwall and Ratwall (where applicable).



HH2000 - Wing 2900H
Left & Right



HH2000 - Wing 1800H
Left & Right



HH2000 - Wing 1200H
Left & Right

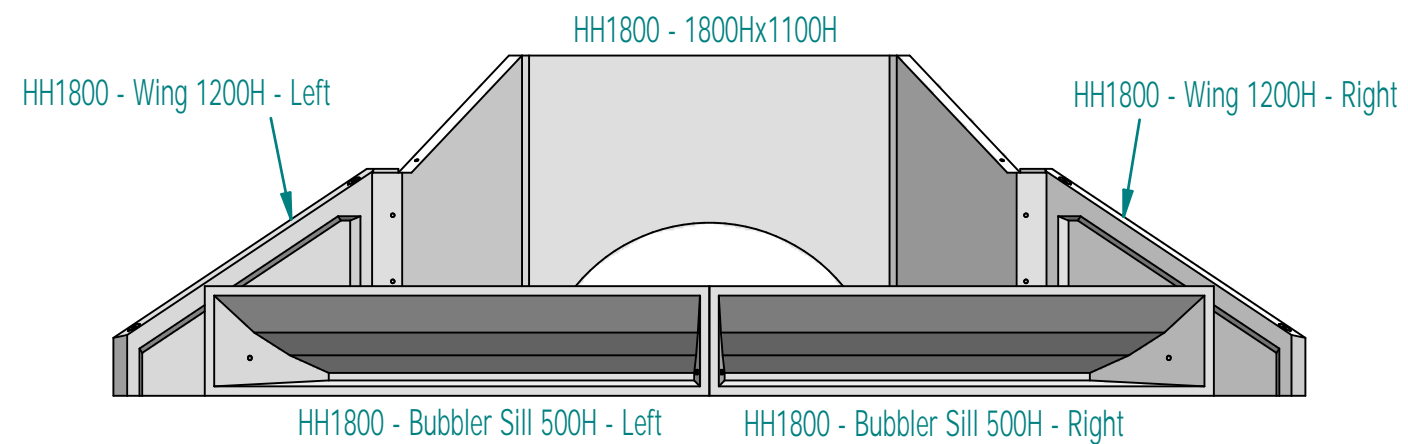
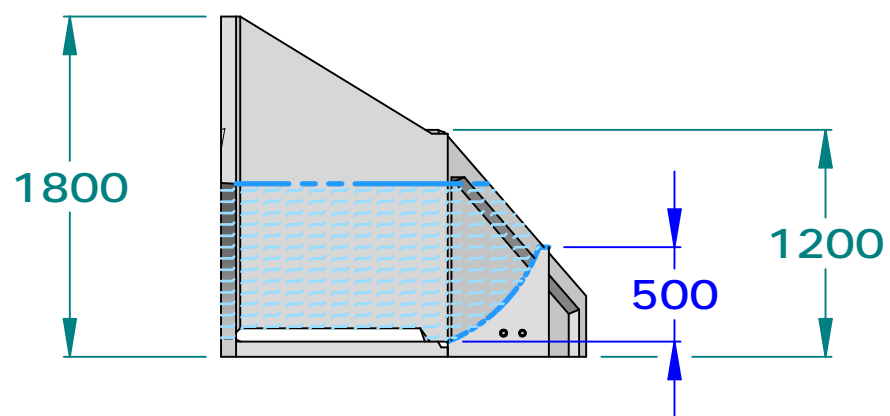
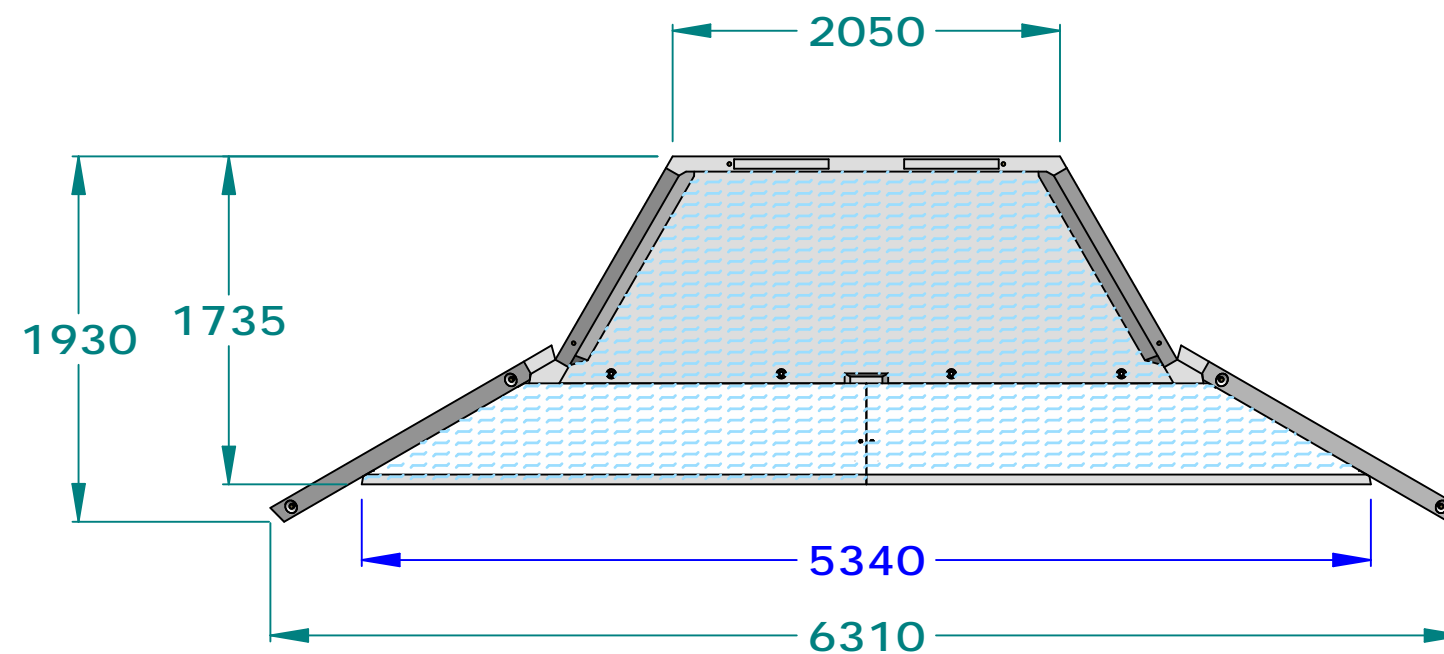
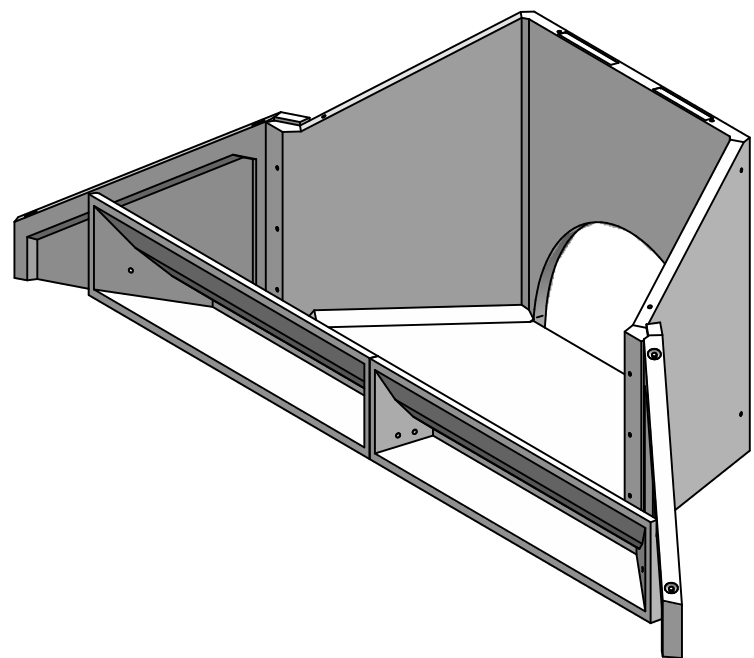
HH1800 - Wings

© Padman Stops. This document is and shall remain the property of Padman Stops. Unauthorised use of this document in any form is prohibited. Patents may apply.

All dimensions in millimetres unless otherwise stated.

info@padmanstops.com.au
tel. 03 5874 5282





HH1800 - 1800H - Bubbler

© Padman Stops. This document is and shall remain the property of Padman Stops. Unauthorised use of this document in any form is prohibited. Patents may apply.

All dimensions in millimetres unless otherwise stated.

info@padmanstops.com.au
tel. 03 5874 5282



File path : C:\Work\Customers\Padman Stops\Hybrid Headwall\Hybrid Headwall 1800\HH1800 - Assemble your crossing.dft