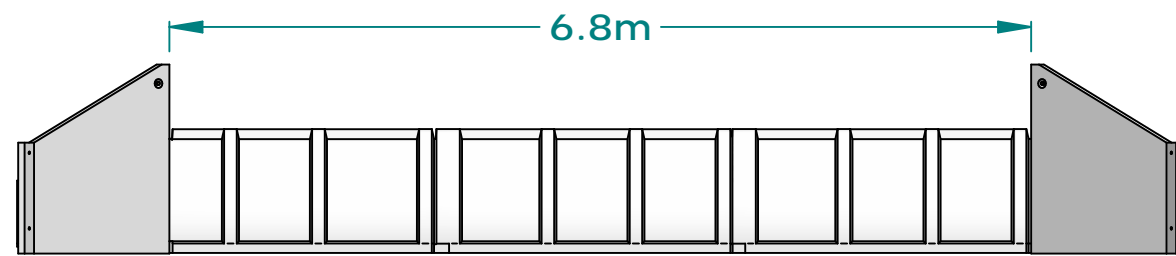
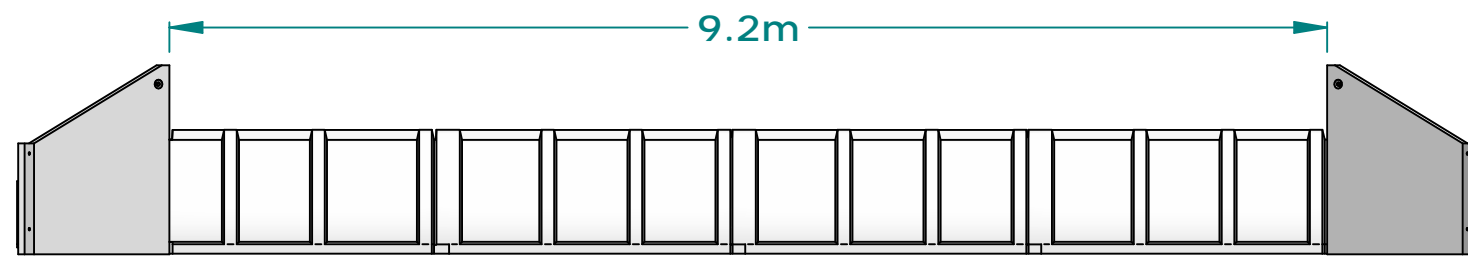


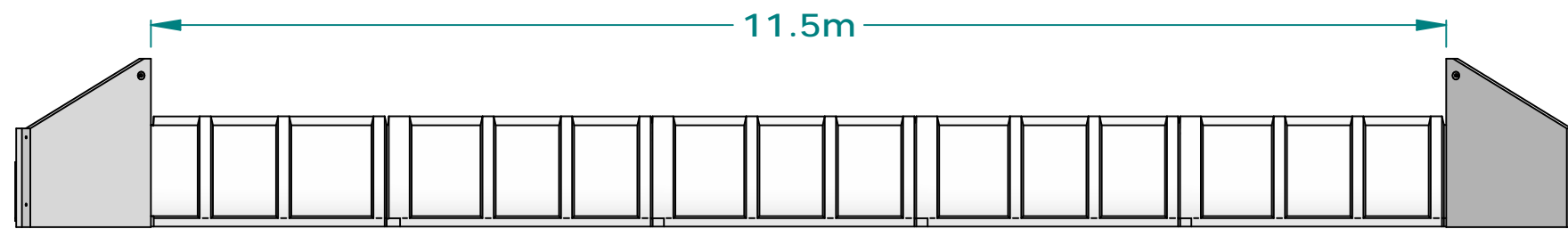
- 2 HH1800 - 1500Hx800H
- 1 Maxiflow 1800 - Centre - Male-Male
- 1 Maxiflow 1800 - Centre - Female-Male



- 2 HH1800 - 1500Hx800H
- 1 Maxiflow 1800 - Centre - Male-Male
- 2 Maxiflow 1800 - Centre - Female-Male



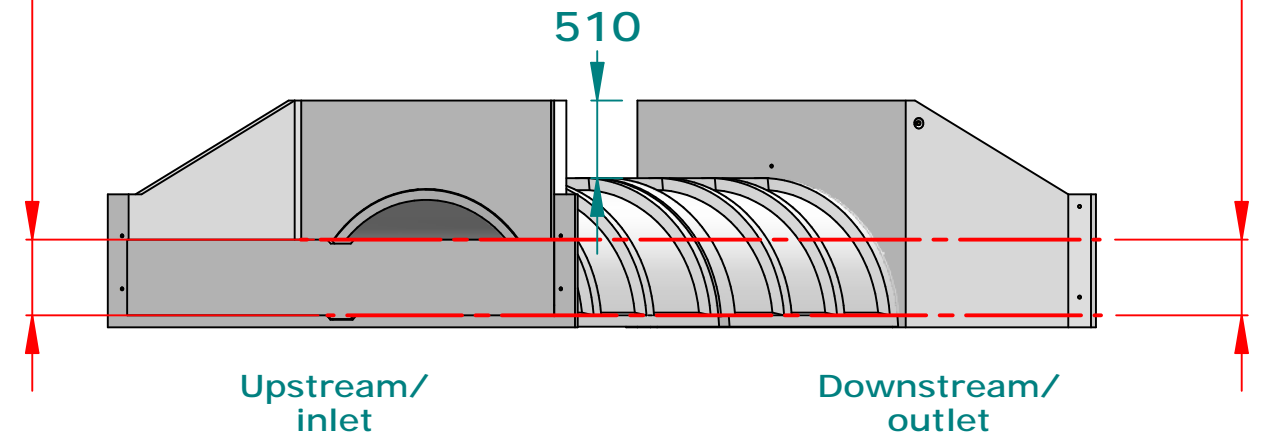
- 2 HH1800 - 1500Hx800H
- 1 Maxiflow 1800 - Centre - Male-Male
- 3 Maxiflow 1800 - Centre - Female-Male



- 2 HH1800 - 1500Hx800H
- 1 Maxiflow 1800 - Centre - Male-Male
- 4 Maxiflow 1800 - Centre - Female-Male

0-750  
Sill height to  
suit application

Difference in sill level  
to suit application



- Erosion control wings for the headwall are available and recommended in all applications.
- Different headwall heights are available.
- For different sill level distances to suit your application consult with Padman Stops.
- Longer crossings are available on request.

# HH1800 - 1500Hx800H - Crossings

© Padman Stops. This document is and shall remain the property of Padman Stops. Unauthorised use of this document in any form is prohibited. Patents may apply.

All dimensions in millimetres unless otherwise stated.

[spadman@padmanws.com.au](mailto:spadman@padmanws.com.au)  
tel. 07 4763 2030



**Padman WATER**  
SOLUTIONS