

Assemble your crossing :

- Choose a HH1200 - Headwall "full profile" headwall or with cut off sidewalls (see next page) to suit your application.
- Choose a HH1200 - Headwall height of 900mm, 1200mm or 1500mm.
- Choose sill wall heights for drops in sill levels over the crossing to suit your application or contact Padman Stops for advice.
- Wings are matched to the combination to suit your application.
- Ratwalls are available at 300mm high.
- Choose a HH1200 - Bubbler Sill or a PE900 Bubbler where applicable.
- Add MF1200 - Centre sections to reach the desired length of crossing.

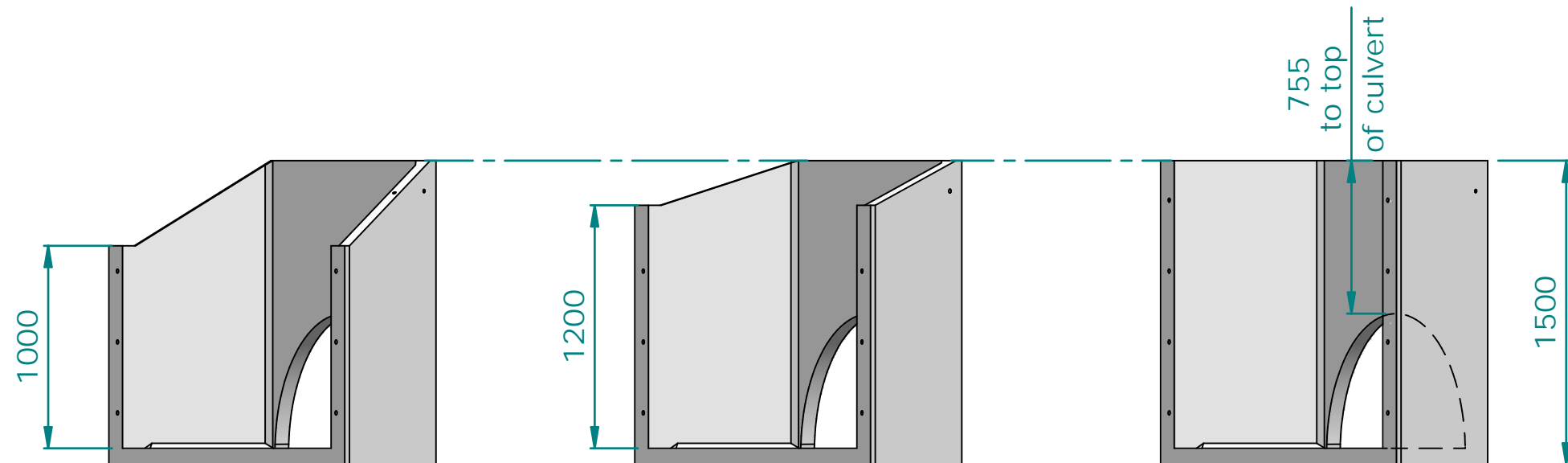
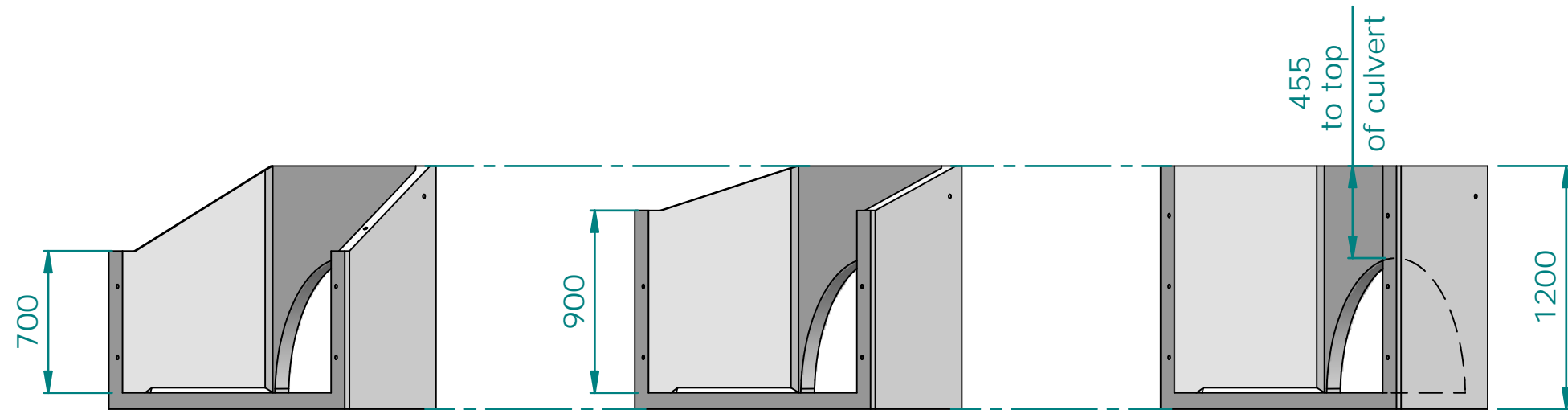
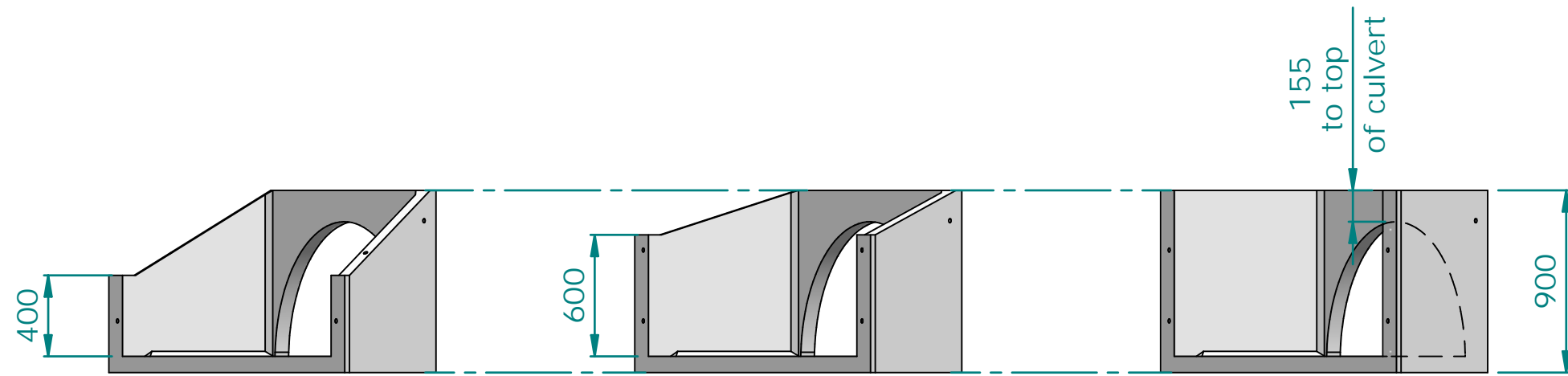
HH1200 - 1200H - Options

© Padman Stops. This document is and shall remain the property of Padman Stops. Unauthorised use of this document in any form is prohibited. Patents may apply.

All dimensions in millimetres unless otherwise stated.

info@padmanstops.com.au
tel. 03 5874 5282





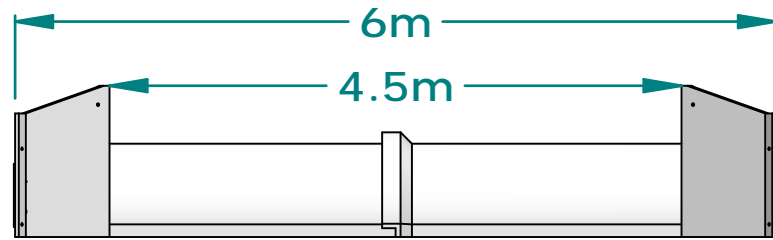
HH1200 - Headwalls - Comparison

© Padman Stops. This document is and shall remain the property of Padman Stops. Unauthorised use of this document in any form is prohibited. Patents may apply.

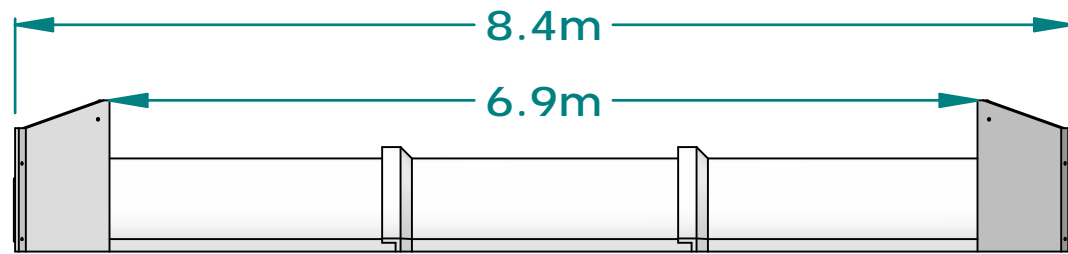
All dimensions in millimetres unless otherwise stated.

info@padmanstops.com.au
tel. 03 5874 5282

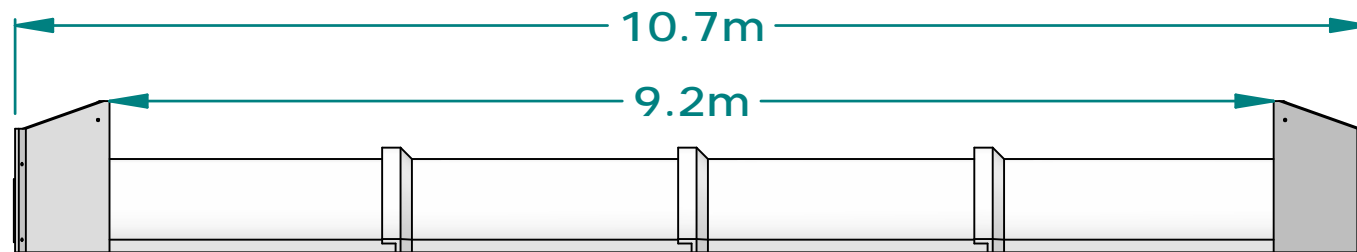




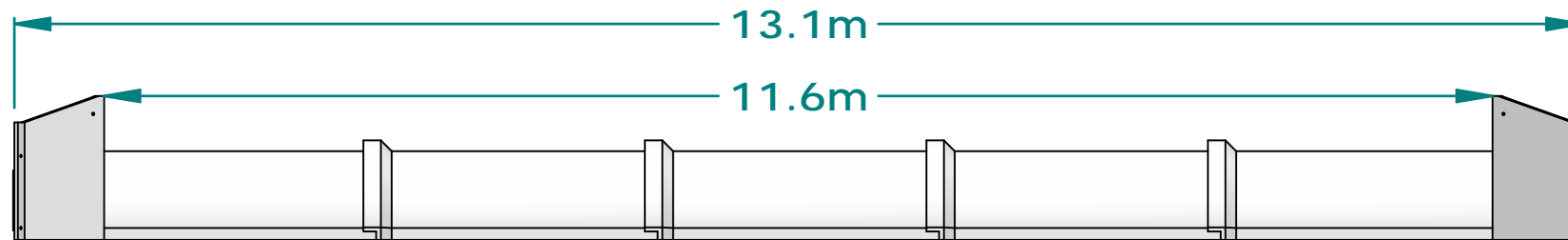
- 2 HH1200 - 1200Hx900H
- 1 Maxiflow 1200 - Centre - Male-Male
- 1 Maxiflow 1200 - Centre - Female-Male



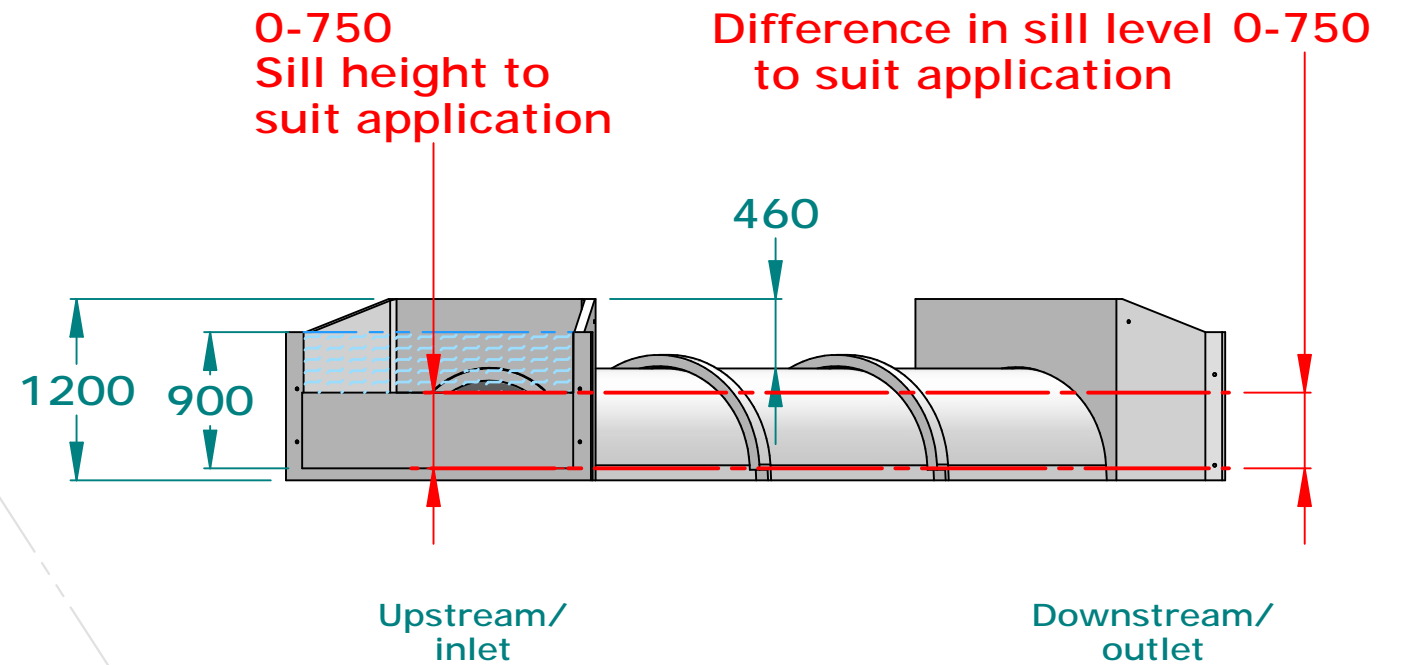
- 2 HH1200 - 1200Hx900H
- 1 Maxiflow 1200 - Centre - Male-Male
- 2 Maxiflow 1200 - Centre - Female-Male



- 2 HH1200 - 1200Hx900H
- 1 Maxiflow 1200 - Centre - Male-Male
- 3 Maxiflow 1200 - Centre - Female-Male



- 2 HH1200 - 1200Hx900H
- 1 Maxiflow 1200 - Centre - Male-Male
- 4 Maxiflow 1200 - Centre - Female-Male



- Erosion control wings for the headwall are available and recommended in all applications.
- Different headwall heights are available.
- For different sill level distances to suit your application consult with Padman Stops.
- Longer crossings are available on request.

HH1200 - 1200H - Crossings

© Padman Stops. This document is and shall remain the property of Padman Stops. Unauthorised use of this document in any form is prohibited. Patents may apply.

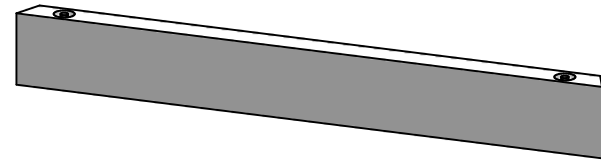
All dimensions in millimetres unless otherwise stated.

info@padmanstops.com.au
tel. 03 5874 5282

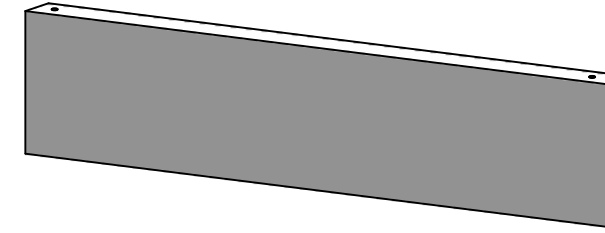


File path - C:\Work\Customers\Padman Stops\Hybrid Headwall\Hybrid Headwall 1200\HH1200 - Assemble your crossing.dft

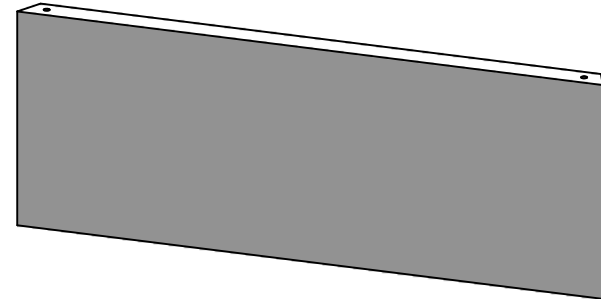
Sill walls can be made from 100mm to 1000mm high in 50mm increments.



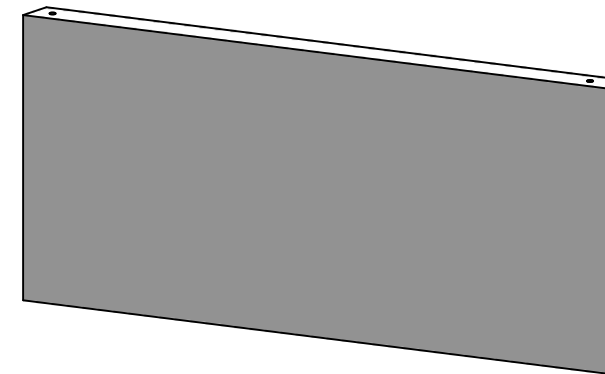
HH1200 - Sill 250H



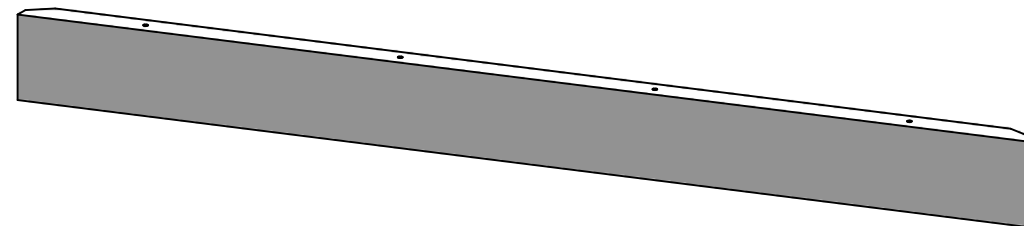
HH1200 - Sill 500H



HH1200 - Sill 750H



HH1200 - Sill 1000H



HH2000 - Ratwall 300H

HH1200 - Sill & Rat Walls

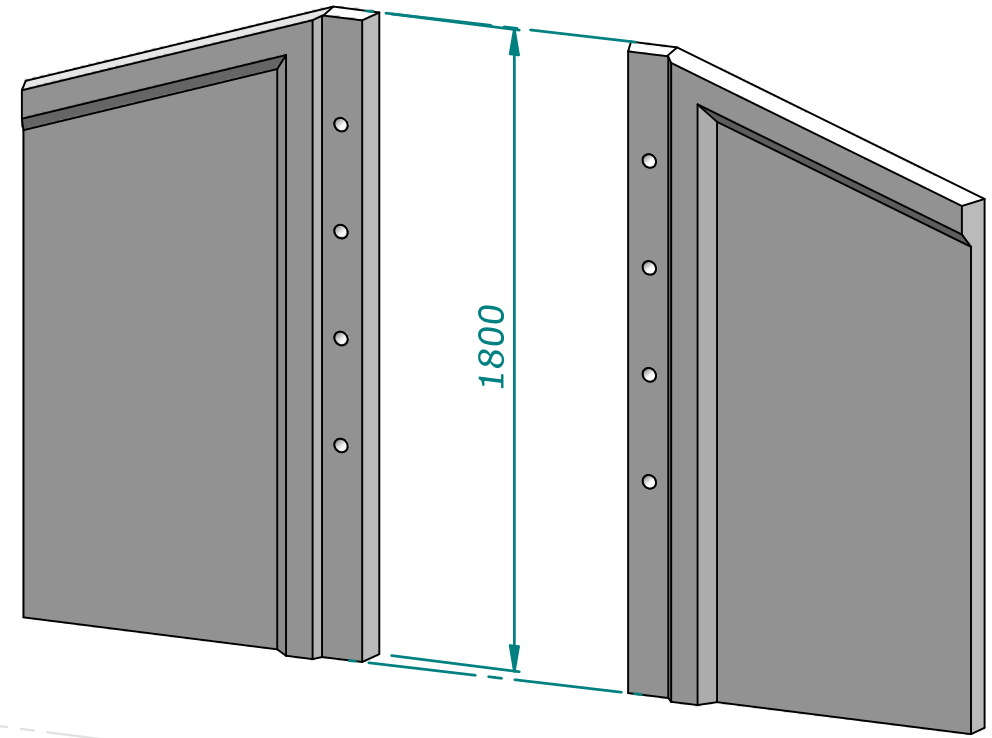
© Padman Stops. This document is and shall remain the property of Padman Stops. Unauthorised use of this document in anyform is prohibited. Patents may apply.

All dimensions in millimetres unless otherwise stated.

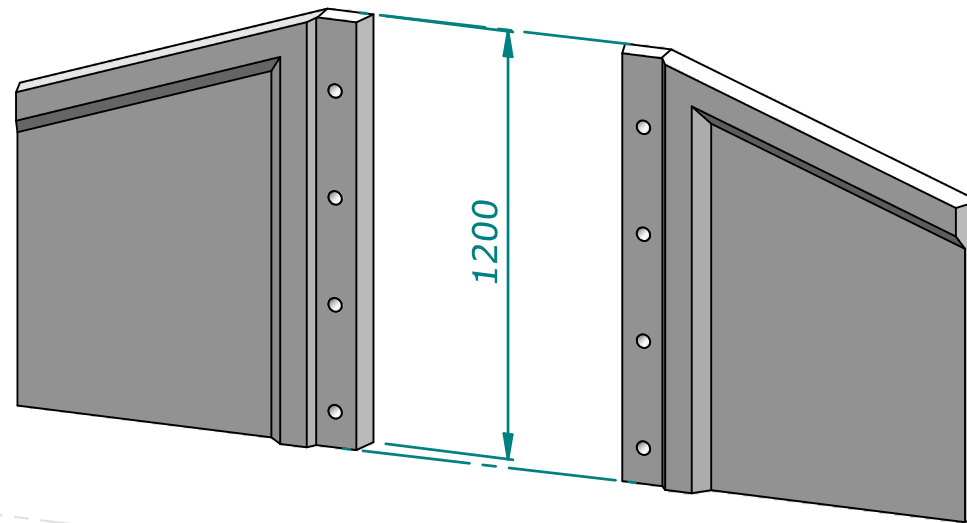
info@padmanstops.com.au
tel. 03 5874 5282



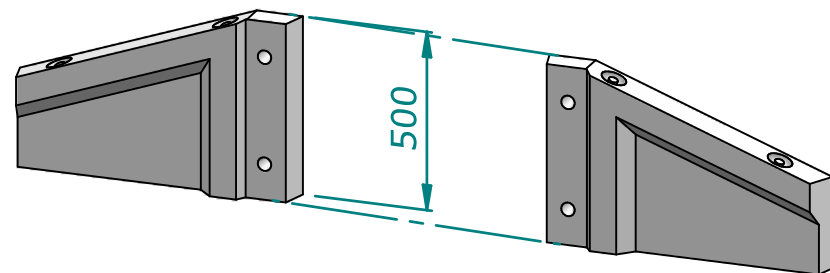
Wings can be made to any height from 500mm to 1800mm and are made to suit the combination of Headwall and Ratwall (where applicable).



HH1200 - Wing 1800H
Left & Right



HH1200 - Wing 1200H
Left & Right



HH1200 - Wing 500H
Left & Right

HH1200 - Wings

© Padman Stops. This document is and shall remain the property of Padman Stops. Unauthorised use of this document in any form is prohibited. Patents may apply.

All dimensions in millimetres unless otherwise stated.

info@padmanstops.com.au
tel. 03 5874 5282

