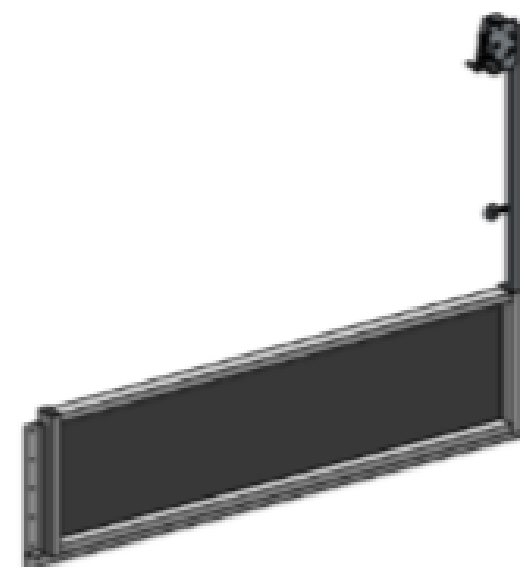
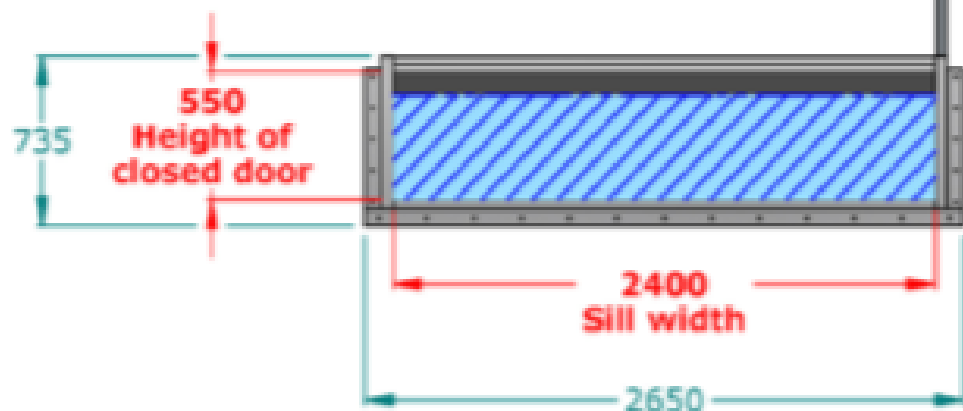
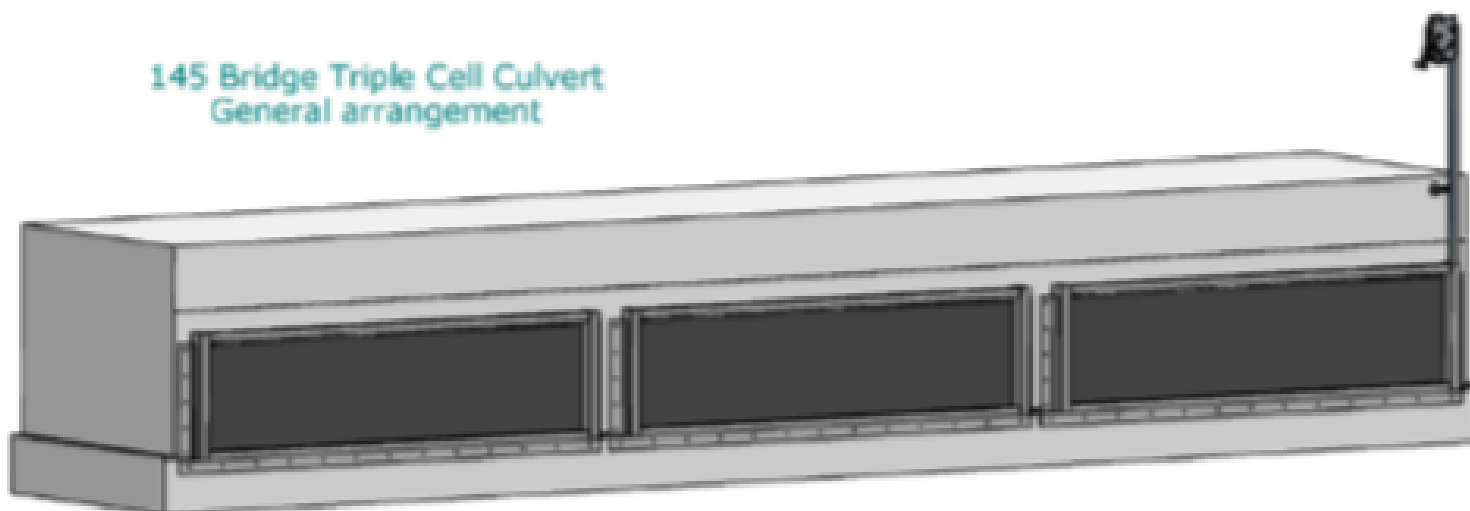


145 Bridge Triple Cell Culvert - Insert
Upstream view



145 Bridge Triple Cell Culvert - Insert
General arrangement, Qty. : 3
1 winch to operate all 3 inserts

145 Bridge Triple Cell Culvert
General arrangement



- Recommended is 100mm
of freeboard on the upstream
side of the rubber door.

4 - 145 Bridge Triple Cell Culvert