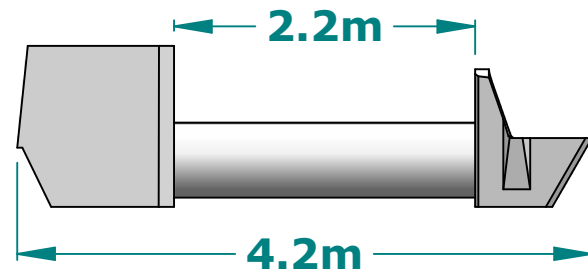


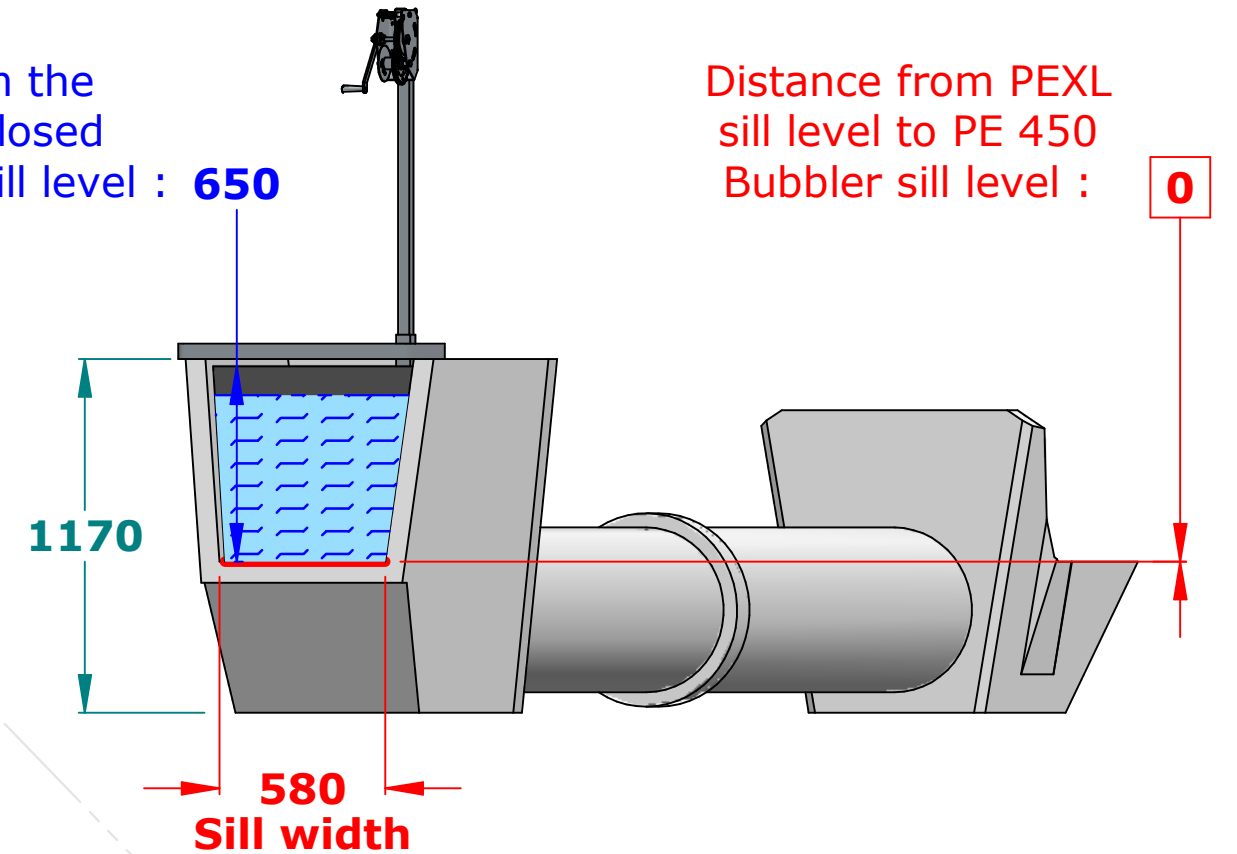
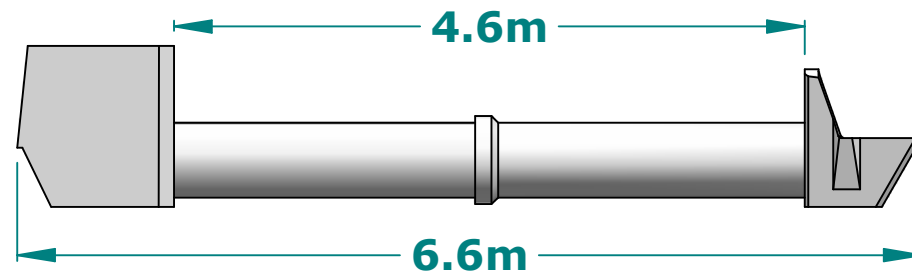
- PEXL
- 1 450mm pipe
- PE 450 Bubbler



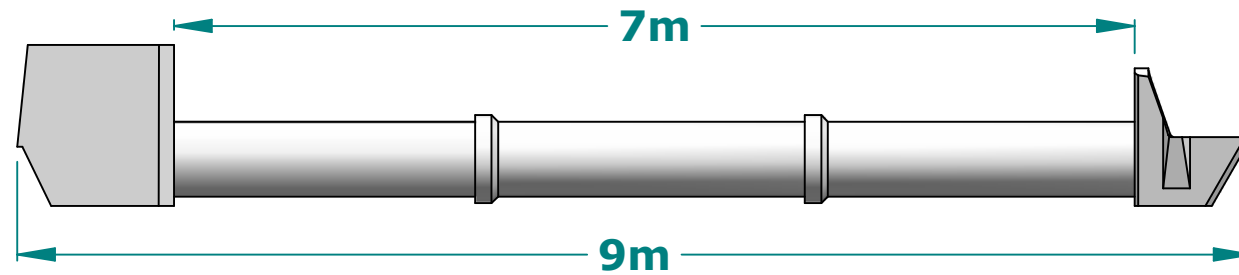
Height from the top of the closed door to PEXL sill level : **650**

Distance from PEXL sill level to PE 450 Bubbler sill level : **0**

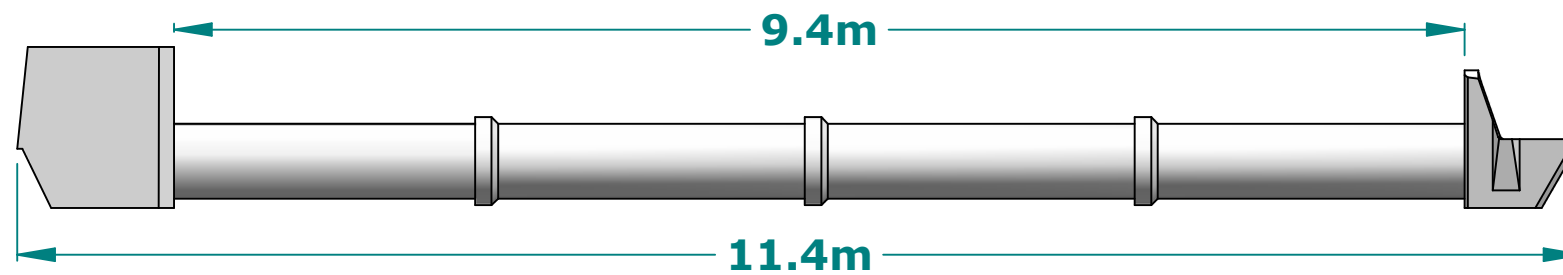
- PEXL
- 2 450mm pipes
- PE 450 Bubbler



- PEXL
- 3 450mm pipes
- PE 450 Bubbler

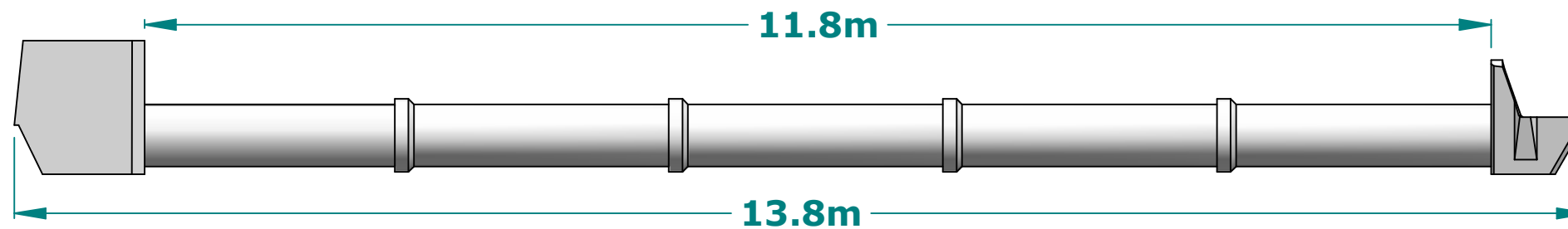


- PEXL
- 4 450mm pipes
- PE 450 Bubbler



- Recommended is 100mm of freeboard on the upstream side of the rubber door.

- PEXL
- 5 450mm pipes
- PE 450 Bubbler



- For different sill level distances to suit your application consult with Padman Stops.

- Longer crossings are available on request.

PEXL - 450mm pipes - PE 450 Bubbler

© Padman Stops. This document is and shall remain the property of Padman Stops. Unauthorised use of this document in any form is prohibited. Patents may apply.

All dimensions in millimetres unless otherwise stated.

info@padmanstops.com.au
tel. 03 5874 5282

 **Padman** *STOPS*
The FARMERS Friend