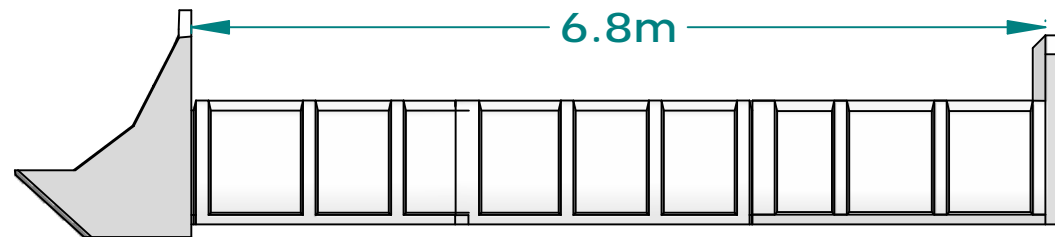
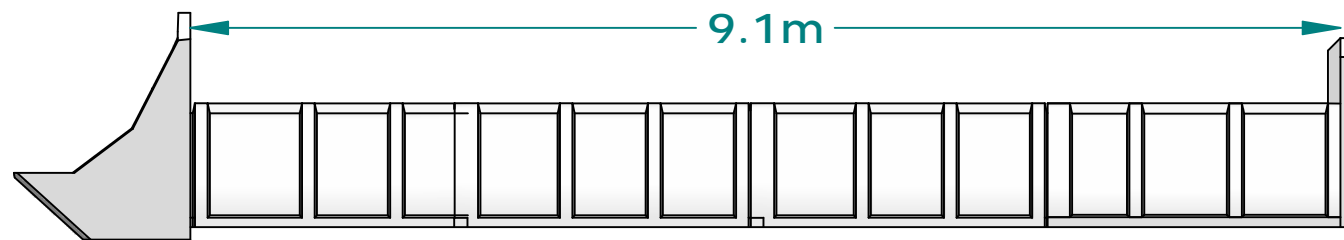


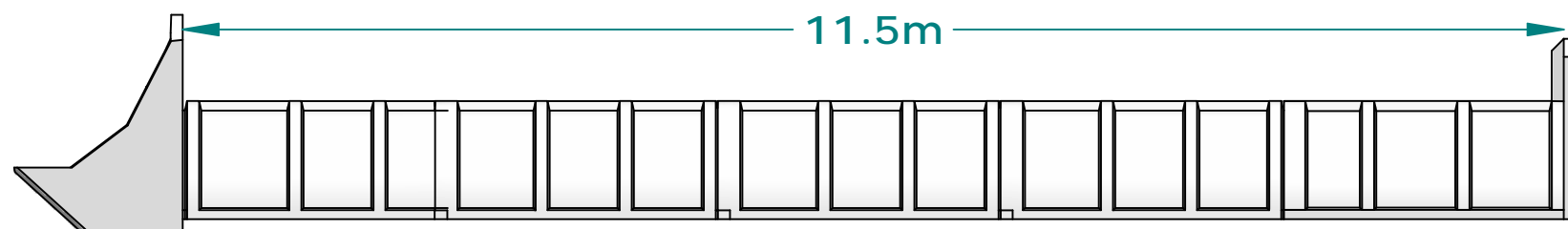
- 1 PE 1000 Bubbler
- 1 Maxiflow 1800 - Centre - Male-Male
- 1 Maxiflow 1800 - Female Headwall



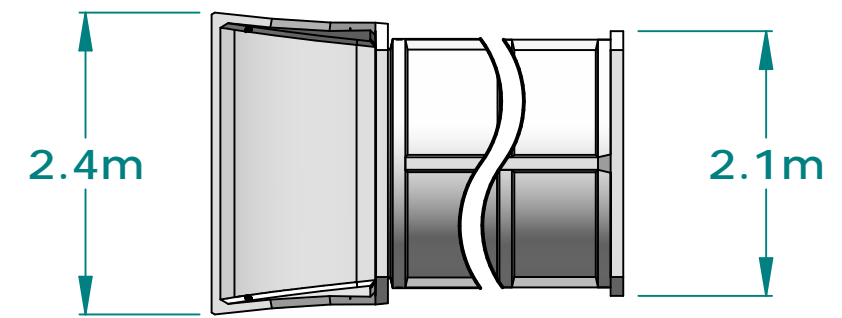
- 1 PE 1000 Bubbler
- 1 Maxiflow 1800 - Centre - Male-Male
- 1 Maxiflow 1800 - Centre - Male-Female
- 1 Maxiflow 1800 - Female Headwall



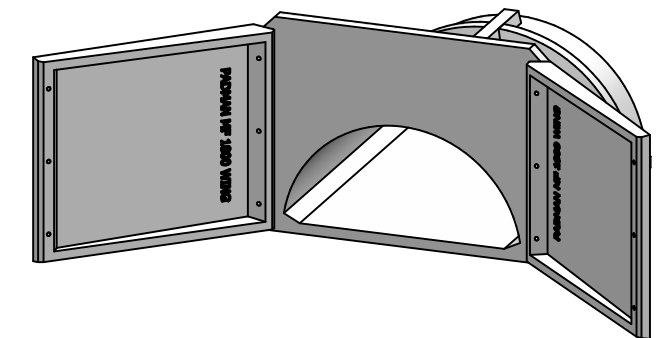
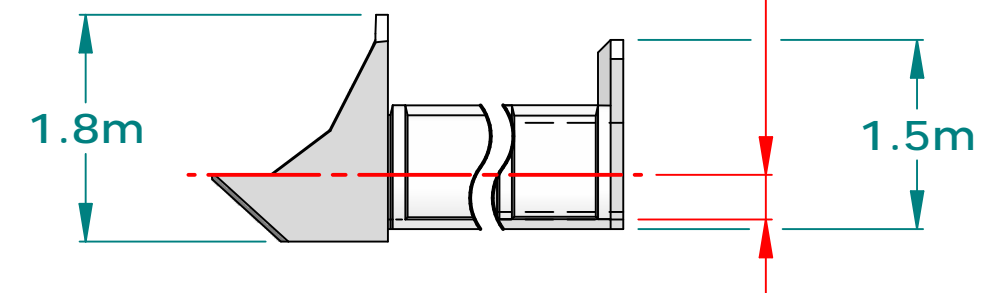
- 1 PE 1000 Bubbler
- 1 Maxiflow 1800 - Centre - Male-Male
- 2 Maxiflow 1800 - Centre - Male-Female
- 1 Maxiflow 1800 - Female Headwall



- 1 PE 1000 Bubbler
- 1 Maxiflow 1800 - Centre - Male-Male
- 3 Maxiflow 1800 - Centre - Male-Female
- 1 Maxiflow 1800 - Female Headwall



Bubbler sill to INVERT of Maxiflow : **360**



- Erosion control wings for the headwall are available and recommended in all applications.

- Different headwall heights are available on request.

Maxiflow 1800 - PE 1000 Bubbler Upstream - Crossings - PWS

© Padman Stops. This document is and shall remain the property of Padman Stops. Unauthorised use of this document in anyform is prohibited. Patents may apply.

All dimensions in millimetres unless otherwise stated.

info@padmanstops.com.au
tel. 03 5874 5282



Padman WATER SOLUTIONS